

SINGLE-PORTED GLOBE CONTROL VALVES TYPE Z1A®

APPLICATION AREA:

Single-ported globe control valves type Z1A are used in automatic and remote control instalations as flow control elements to adjust flow of liquids, steam and gases. Wide range of material and design versions makes the valves applicable in most demanding working conditions in power generation, petroleum chemistry, heating, chemical industry, metallurgy, etc. versions designated for Western Europe market can be marked BR12.

FEATURES:

- various materials of valve body and internal parts, adapted to specific working conditions,
- design provides noise reduction, enhanced resistance to cavitation and flashing, and elimination of choked flow,
- wide range of nominal pressures, PN10 to CL2500, and flow ratio and control characteristics,
- reduction in aggressive and toxic media emissions to environment through application of bellows seal bonnets or bonnet packings meeting requirements of TA - LUFT,
- easy assembly and dismantling of valve internal parts for maintenance and service,
- high durability and reliability due to application of top-class materials and surface improvement processes (burnishing, stellite, heat treatment, CrN coating),
- possibility of mating with revers action P/R (column) and P1/R1 (cast yoke) multi-spring actuators, and changing the spring range with no extra parts (keeping the number of springs),
- possibility of fitting actuators with side-mounted (P1/R1) or top-mounted (P/R) handwheel,
- possibility of performing diagnostics of "valve - actuator" due to application of smart electro-pneumatic positioners,
- wide range of electric actuators,
- special designs for oxygen, hydrogen, gas fuels, low temperature fluids (liquid oxygen, liquid nitrogen), acid gases containing H₂S; with heat jacket; for potentially explosive atmospheres as per ATEX Directive 94/9/EC,
- design and production process meet the requirements of Quality Management System ISO 9001 and Directive 97/23/EC, and regulations of AD2000 Merkblatt, designated for installation on pipelines.



Z1A® is a trademark registered with Republic of Poland Patent Office

DESIGN AND TECHNICAL SPECIFICATION:

Body (1): single-ported, cast

Nominal size: DN15; 20; 25; 40; 50; 80; 100; 150; 200; 250; 300

Nominal pressure:

• PN10; 16; 25; 40; 63; 100; 160; 250; 320; 400 (as per PN-EN 1092-1:2010)

• PN-H-74306:1985; PN-H-74307:1985.

• CL150; CL300; CL600; CL900; CL1500; CL2500 (as per PN-EN 1759-1:2005).

divided as follows:

DN15...300: PN10...100; CL150...CL600 *)

DN15...150: CL900; PN160 *)

DN15...100: PN250...400; CL1500...CL2500 *)

*) higher nominal pressures available after agreement with the manufacturer

Connections:

- flanged: as per Table 1

- butt welding ends BW, as per Table 19 and 18

- socket welding ends SW, as per Table 21

Steel flanges CL150; CL300; CL600; CL900; CL1500; CL2500 are so designed that they can be assembled with flanges as per American standards ANSI/ASME B16.5 and MSS SP44. In American standards flanges are identified with nominal values in "Classes", to which nominal pressure (PN) values as per PN-ISO 7005-1:2002 correspond.

Equivalent identification as per PN are:

CL150: PN 20

CL300: PN 50

CL600: PN 110

CL900: PN 150

CL1500: PN 260

CL2500: PN 420

Table 1. Flanged end connections

Nominal pressure	Facing of flange types			
	Raised face	Groove	Recess	Ring - joint
	Identification			
PN10; 16; 25; 40; 63; 100; 160; 250; 320; 400	B ³⁾	D ¹⁾	F ¹⁾	-
CL150; 300	B ³⁾	DL (D1 ²⁾	F (F1 ¹⁾	J (RTJ)
CL600; 900; 1500; 2500	B ³⁾ (RF)	DL (GF)	F (FF)	J (RTJ)
¹⁾ - do PN160; ²⁾ - tyłko dla CL300; ³⁾ - B1 - (Ra=12.5 μm, concentric surface structure "C"), B2 - (Ra as agreed with the customer); () - identification of connections as per ASME B16.5				
Possible execution of flanges per specification and indicated standards				

Face-to-face dimensions: - flanged valves as per PN-EN 60534-3-1; PN-M-74005; ISA S75.16-1993; Fig. 5; Table 16; 17
 - welding ends valves; Fig. 5; Table 18
 - as per PN-EN 60534-3-3: for PN 10...100 and CL150...600
 - as for flanged valves PN 160: for PN 160 and CL900
 - as for flanged valves PN 400: for PN 250...400 and CL1500...2500

Materials:

- as per Table 2;

Relationship between working pressure and temperature as per Table 3...9.

Bonnet (2):

- standard

- extension

- bellows seal (PN10...40; CL150...300)

Valve plug (3):

- piston, sleeve guided, hard. Rangeability: 50:1

- variants:

contoured,

piston - perforated, (multi-hole)

- flow characteristics:

equal percentage - P

linear

- L

quick opening

- S (only for contoured valve plugs)

Valve seat (4):

- fitted-in and and sealed with body, hard (tight seat after consulting the manufacturer)

Valve plug stem (5):

- burnished, polished sealing face.

Pressing cage (6A):

- valve seat to body fixture.

Choke cage (6B):

- perforated valve seat fixture, causing reduction in pressure drop between seat and plug.

Body gasket (7) and seat gasket (8): spiral, graphite+1.4404 in all executions.

Stem packing (9):

- PTFE-V packing, compressed with spring bolt (18),

- ring gaskets formed in braided packing cords (PTFE +GRAPHITE),

- graphite kits (expanded and silky graphite) or gaskets formed in braided graphite cords,

- TA-LUFT sealing with PTFE-V packing kit or graphite kit; packing structure as per Figs. 1 and 2, range of applications as per Table 10.

Leakage class: (as per PN-EN 60534-4)

-basic: (class IV)

less than 0,01% Kv_s

-enhanced: (class V)

$3 \cdot 10^{-4} D \cdot \Delta p$ [cm³/min]

where D (mm) - is seat diameter as per Table 10

Δp [bar] -actual pressure drop in closed valve.

Fluid flow direction:

to valve plug.

Flow coefficients:

as per Table 11

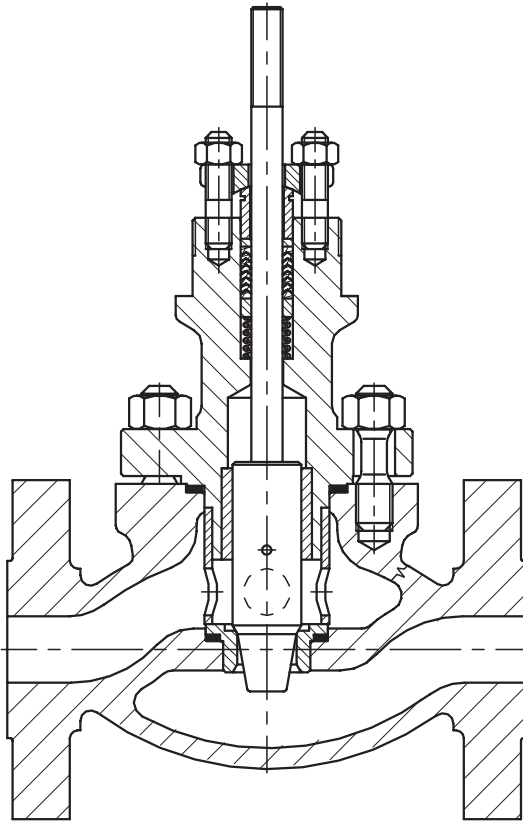


Fig. 1a. Valve Z1A - contoured valve plug and compression cage

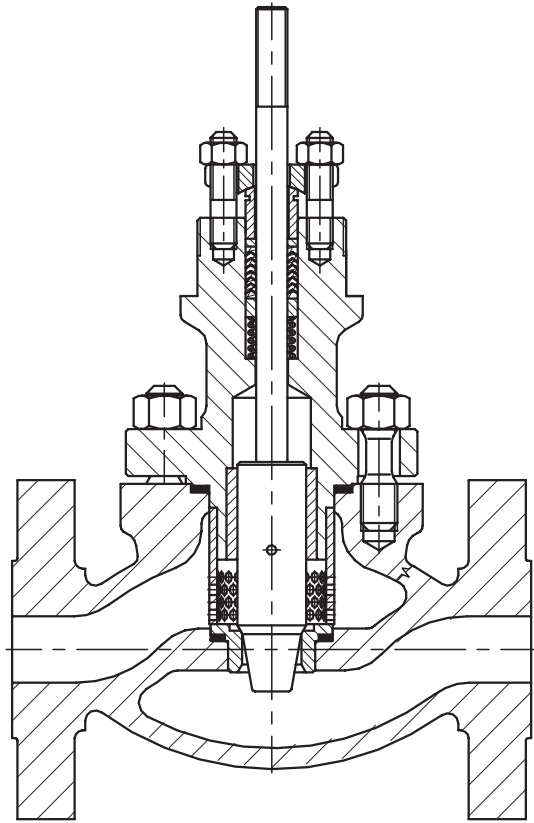


Fig. 1b. Valve Z1A - contoured valve plug and choke cage

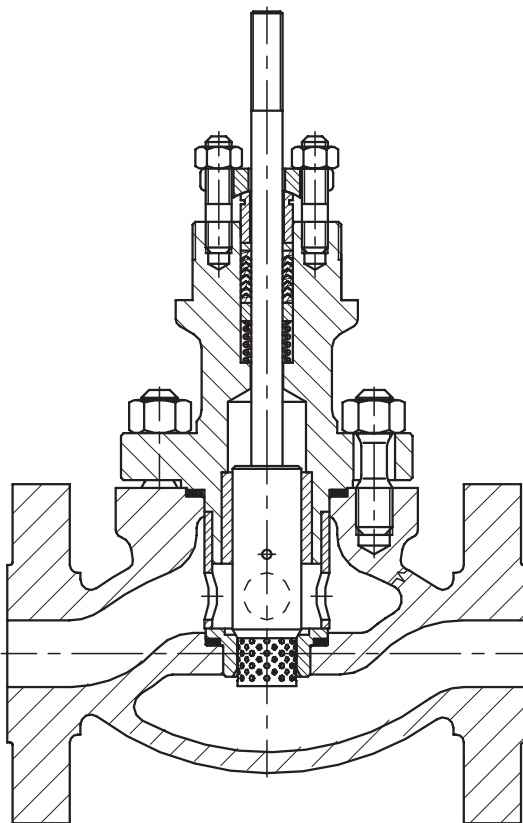


Fig. 1c. Valve Z1A - perforated valve plug and compression cage.

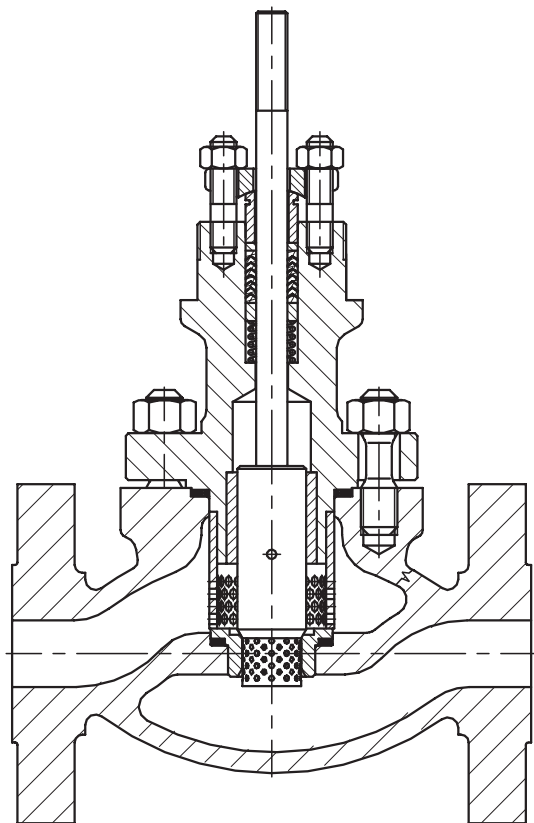


Fig. 1d. Valve Z1A - perforated valve plug and choke cage

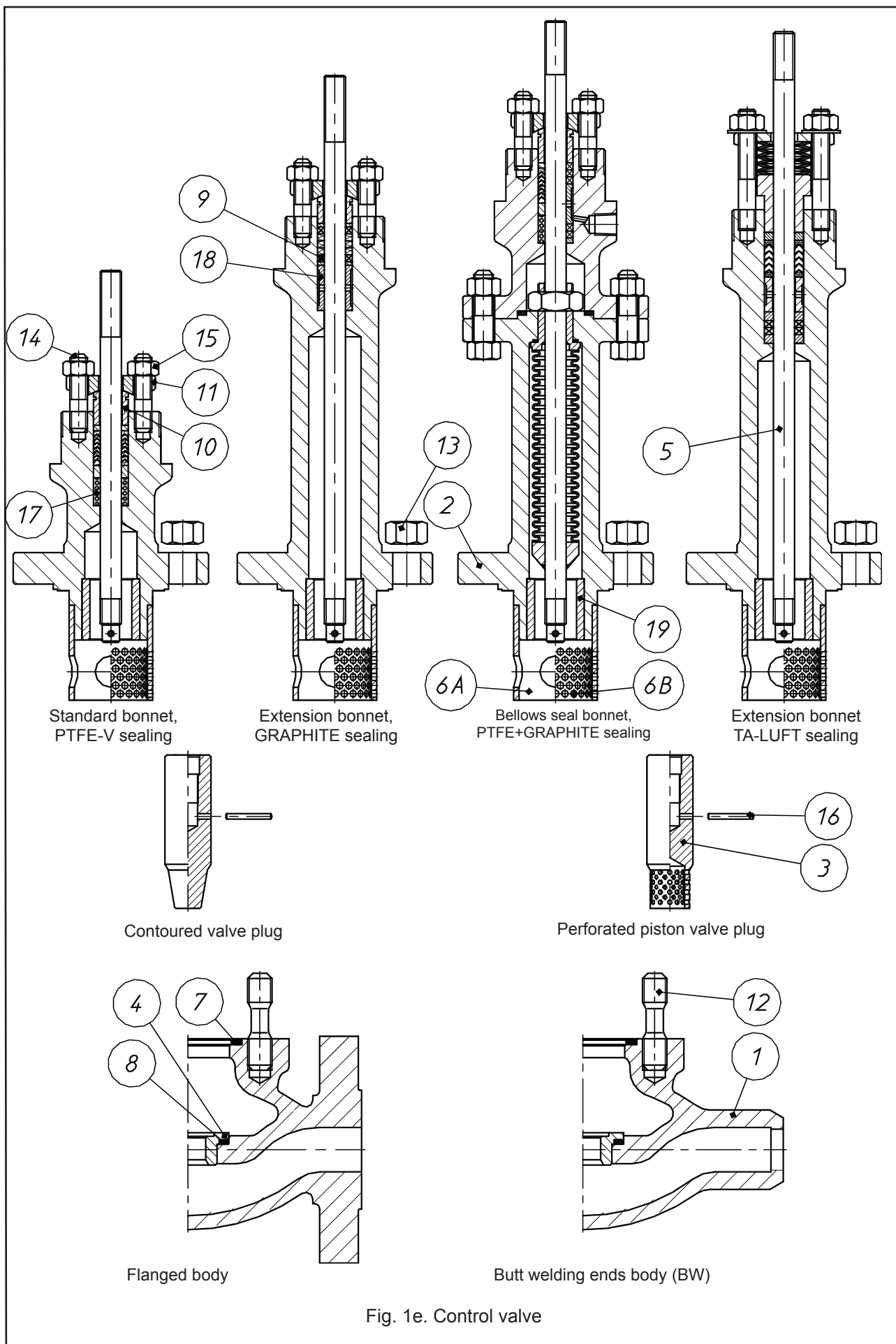


Fig. 1e. Control valve

Table 2. Part list with materials

Item	Part		Materials		
1	Body		GP 240 GH ; (1.0619) WCB	G17CrMo 9-10 ; (1.7379) WC9	GX5CrNiMo 19-11-2 ; (1.4408) CF8M
2	Bonnet	DN15...50	S 355 J2G3 (1.0570)	13CrMo4-4 ; (1.7335)	X6CrNiMoTi 17-12-2 ; (1.4571)
		DN80...300	GP 240 GH ; (1.0619) WCB	G17CrMo 9-10 ; (1.7379) WC9	
3	Plug		X6CrNiMoTi 17-12-2; (1.4571) X6CrNiMoTi 17-12-2; (1.4571) + stellite + CrN X17CrNi 16-2 ; (1.4057) + heat treatment		
4	Seat		X6CrNiMoTi 17-12-2; (1.4571) X6CrNiMoTi 17-12-2; (1.4571) + stellite X17CrNi 16-2; (1.4057) + heat treatment		
5	Stem		X6CrNiMoTi 17-12-2; (1.4571) X6CrNiMoTi 17-12-2; (1.4571) + stellite + CrN X17CrNi 16-2 ; (1.4057) + heat treatment		
6A	Compression cage		X6CrNiMoTi 17-12-2; (1.4571)		
6B	Choke cage		X17CrNi 16-2; (1.4057) + heat treatment		
7	Body gasket		GRAPHITE (98%) + 1.4404 (spiral)		
8	Seat gasket				
9	Packing kit		PTFE + GRAPHITE		
			PTFE „V” (Rings)		
			GRAPHITE		
10	Press sleeve		X6CrNiMoTi 17-12-2; (1.4571)		
11	Press lever		S 355 J2G3 ; (1.0570)		
12	Body screw	PN10...CL300	8.8	A4 - 70 *)	
		PN63...CL2500	42CrMo4 (1.7225)	21CrMoV5-7 (1.7709)	X6NiCrTiMoVB 25-15-2 (1.4980)
13	Body nut	PN10...CL300	8.8	A4 - 70 *)	
		PN63...CL2500	42CrMo4 (1.7225)	21CrMoV5-7 (1.7709)	X6NiCrTiMoVB 25-15-2 (1.4980)
14	Bonnet screw		8.8	A4 - 70 *)	
15	Bonnet nut		8.8	A4 - 70 *)	
16	Notched peg		X6CrNiMoTi 17-12-2; (1.4571)		
17	Spring		12R10 (SANDVIK)		
18	Spacer sleeve		X6CrNiMoTi 17-12-2; (1.4571)		
19	Guide sleeve		X6CrNiMoTi 17-12-2; (1.4571) + stellite + CrN X17CrNi 16-2 ; (1.4057) + heat treatment		
Relevant material standards					
Material			Standard		
GP 240 GH ; (1.0619)			PN-EN 10213-2		
WCB			ASTM A 216		
G17CrMo 9-10 ; (1.7379)			PN-EN 10213-2		
WC9			ASTM A 217		
GX5CrNiMo 19-11-2 ; (1.4408)			PN-EN 10213-4		
CF8M			ASTM A 351		
S 355 J2G3 ; (1.0570)			PN-EN 10025		
13CrMo4-4; (1.7335)			PN-EN 10028		
X6CrNiMoTi 17-12-2 ; (1.4571)			PN-EN 10088		
X17CrNi 16-2 ; (1.4057)			PN-EN 10088		
C45 (1.0503)			PN-EN 10083-1		
X30Cr13 (1.4028)			PN-EN 10088		
8.8			EN 20898-1		
A4-70 *)			EN ISO 3506-2		
42CrMo4 (1.7225)			EN 10269		
21CrMoV5-7 (1.7709)			EN 10269		
X6NiCrTiMoVB 25-15-2 (1.4980)			EN 10269		

NOTE:

*) - to be applied for nominal pressures PN10...CL600.

Hardening of valve internal surfaces comprises:

a) stellite – padding of surfaces with stellite: ~ 40HRC

b) CrN coating – introducing chromium nitride to external layer of detail, to the depth of ca. 0,1mm; ~950HV

c) heat treatment: valve plug (~45HRC), valve seat (~35HRC), guide sleeve (~45HRC)

DESIGNS

Design and material options are to be selected to suit working conditions. Contoured plug and press cage valve is the basic design for normal working conditions. In cases of noise emissions exceeding the level accepted by customer (normally 85 dBA) perforated valve plugs are to be applied, which are exchangeable with contoured plugs and allow noise reduction by 10dBA with respect to the basic design. Further noise reduction (by 5 dBA) can be achieved by application of choke cage, which causes reduction in pressure drop between plug and seat. Such design is also recommended in case of choked flow, cavitation and flashing. Perforated structures feature higher pressure recovery coefficient F_L , which allows achievement of higher flow at the same Kv_s and Δp as in basic design. In case of compressive media it is advisable to apply diffusers at the valve outlet. Design variant of valve is to be selected based on computer-aided calculations of flow ratio, noise level, medium status, and effectiveness of such actions depends on precision of data submitted by customer.

In justified cases (noise, choked flow) diffusers can be fitted with additional perforated choke structures in the form of plates assembled between flanges or welded in diffuser interior. On customer's request, also when flow conditions justify such solution, special executions are recommended concerning materials, flow ratios, control characteristics, leakage class, etc.

Tablica 10: Packing types with application ranges.

Packing	PN	Temperature [°C]		
		Bonnet		
		Standard	Extension	Bellow seal
PTFE-V	up to CL600)*	-46...+200	-198...-46 +200...+300	-100...+200
PTFE + Graphite				
PTFE-V / TA-LUFT				
Graphite	up to CL2500)*	+200...+300	+300...+537, (+650)**	+200...+400
Graphite / TA-LUFT				

)* PN10...40; CL150...300 - for below seal bonnet

)** - for welding ends valves

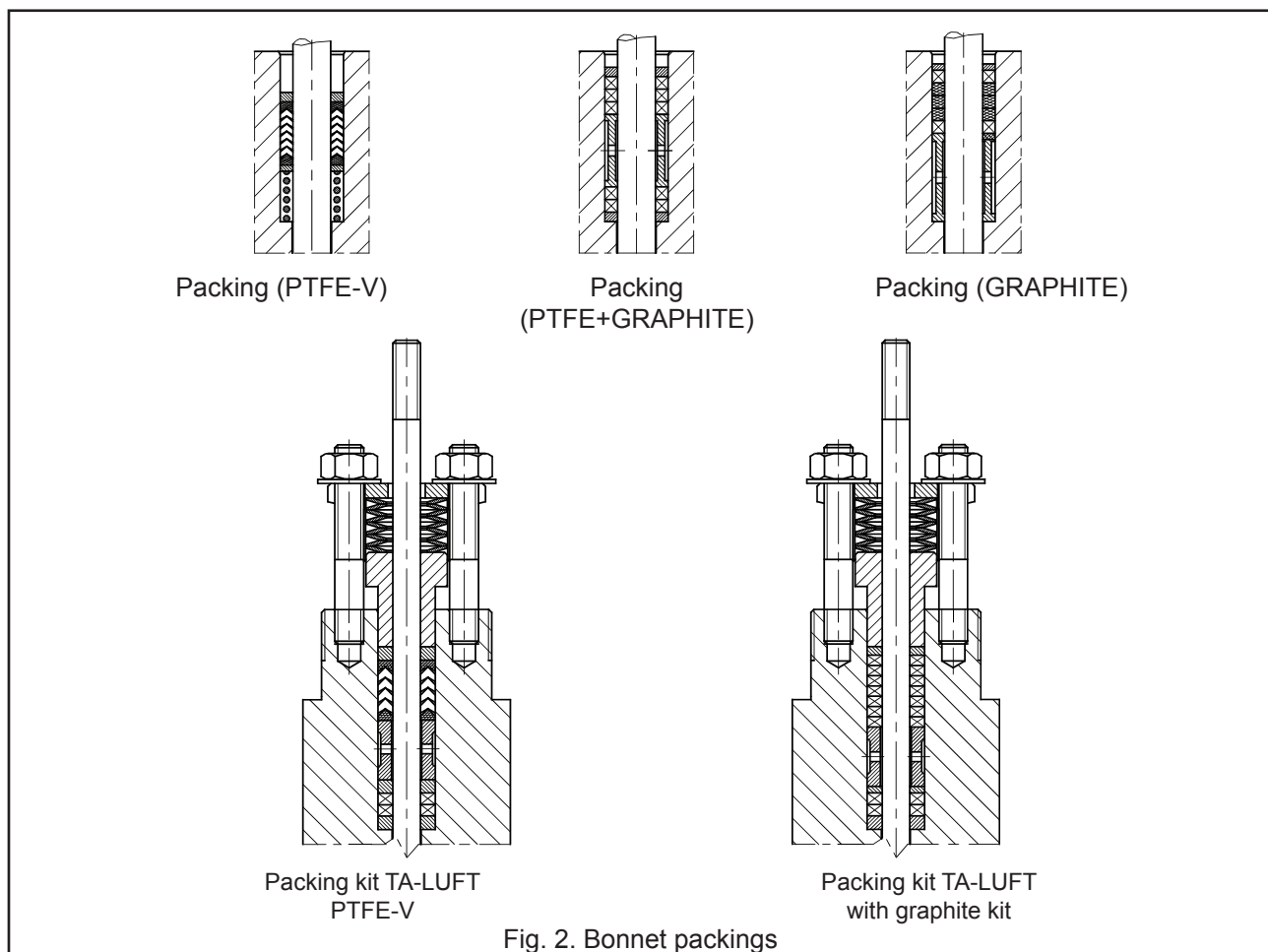


Table 11. Flow ratios Kvs.

Kvs					Stroke	Seat for. [D]	F _D		Nominal size DN									300					
Contoured plugs			Perforated plugs				Cl. IV	Cl. V	15	20	25	40	50	80	100	150	200		250				
L	P	S	L	P	[mm]	[mm]			[kN]														
0,1	-	-	-	-	20	6,35	0,1	0,65															
0,16	-	-	-																				
0,25	-	-	-																				
0,4	-	-	-																				
0,63	-	-	-																				
1,0	-	-	-																				
1,6	-	-	-																				
2,5	-	-	-																				
4,0	4,8	-	-																				
6,3	7,6	-	-																				
10	12	6,3																					
16	20	10																					
25	30	16																					
40	48	25																					
63	-	40																					
94	115	63			38	88,9	1,4	9,1															
125	-	125	94																				
160	192																						
250	-	180	125																				
320	384	260	200																				
500	600	425	320																				
630	-	630	400																				
800	960	720	500																				

special execution, technical data according to individual inquiries

Calculation coefficients

Contoured plugs: F_L=0,9 ; X_L=0,72; F_D=0,46; xFz=0,65
 Perforated plugs: F_L=0,95 ; X_L=0,78; F_D=0,1; xFz=0,75

NOTE

1. ■ - no executions for PN250...CL2500
2. ■ Quick-opening valves (S) - only for maximum values of Kvs for individual DN.

ALLOWABLE PRESSURE DROPS Δp.

Pressure drops Δp [bar] in Tables 13 apply to closed valve and they are calculated with account for the valve drive performance. Actual pressure drops should not exceed 70% of allowable working pressure for given nominal pressure, material execution and working temperature, as per tables 3...9.

$$\Delta p = \frac{F_s - F_D}{0,785 \cdot 10^{-4} \cdot D^2} \quad \text{or} \quad F_s = 0,785 \cdot 10^{-4} \cdot D^2 \cdot \Delta p + F_D$$

- where
- Δp [bar] - calculated pressure drop
 - F_s [kN] - actuator available force (tabel 12)
 - F_D [kN] - valve plug to valve seat pressure (tabel 11)
 - D [mm] - valve seat diameter (tabel 11)

Tabel 12: Available force Fs [kN] of pneumatic actuators

Actuator size	Direct actuator P ; P1			Reverse actuator R ; R1					
	Supply pressure [kPa]			Spring range [kPa]					
	140	250	400	20 - 100	40 - 120; 40 - 200	60 - 140	80 - 240	120 - 280	180 - 380
250	1,0	3,8	7,5	0,5	1,0	1,5	2,0	3,0	-
400	1,6	6,0	12,0	0,8	1,6	2,4	3,2	4,8	-
630	2,5	9,5	18,9	1,3	2,5	3,8	5,0	7,6	11,3
R-630T	-	-	-	2,6	5,0	7,6	10,0	15,2	22,6
1000	4,0	15,0	30,0	2,0	4,0	6,0	8,0	12,0	18,0
1500	6,0	22,5	45,0	3,0	6,0	9,0	12,0	18,0	27,0
1500T	12,0	45,0	90,0	6,0	12,0	18,0	24,0	36,0	54,0

NOTE:

1. For direct actuators P, P1 adopted spring range is 20 - 100kPa.
2. For electric and other actuators Δp value can be calculated using above formula and figures from Tables 11, taking nominal load capacity as available force Fs, as per actuator catalog chart

Table 13: Pressure drops Δp [bar] for valves with pneumatic actuators, leakage class class IV and V

Valve seat diameter [mm]	Actuator size	Air-to-close Spring range 20...100 kPa						Air-to-open											
		IV class			V class			IV class						V class					
		Supply pressure [kPa]						Spring range [kPa]						Spring range [kPa]					
		140	250	400	140	250	400	20...100	40...120	40...200	60...140	80...240	120...280	180...380	20...100	40...120	40...200	60...140	80...240
Δp [bar]																			
to 12,7	250	61	273	280	-	188	280	23	61	100	138	215	-	-	-	15	54	130	-
	400	107	280	-	23	280	-	47	110	173	236	280	-	-	22	85	148	274	-
19,05	250	24	118	240	-	62	190	7	24	41	58	93	-	-	-	-	-	36	
	400	45	196	280	-	14	280	17	45	72	100	155	-	-	-	15	43	98	
20,64	250	20	100	210	-	48	159	5	20	34	49	78	-	-	-	-	-	26	-
	400	37	166	280	-	115	280	14	37	60	84	131	-	-	-	9	32	79	-
	630	65	272	280	11	218	280	27	65	103	140	216	280	-	11	49	86	162	274
	R-630T	-	-	-	-	-	-	65	140	216	280	280	280	11	86	162	237	280	280
25,25	250	12	67	142	-	23	98	2	12	22	32	52	-	-	-	-	-	8	-
	400	24	112	232	-	68	188	8	24	40	56	88	-	-	-	-	12	44	-
	630	42	180	280	-	136	280	17	42	67	92	143	218	-	-	23	48	98	174
	R-630T	-	-	-	-	-	-	42	92	143	193	280	280	-	48	98	149	249	280
31,72	250	6	41	88	-	5	53	-	6	12	19	31	-	-	-	-	-	-	-
	400	14	70	145	-	34	110	4	14	24	34	54	-	-	-	-	-	19	-
	630	25	113	232	-	78	197	10	25	41	57	90	137	-	-	6	21	54	101
	R-630T	-	-	-	-	-	-	25	57	89	121	185	280	-	22	54	85	149	245
41,25	250	2	23	51	-	-	24	-	2	6	10	17	-	-	-	-	-	-	-
	400	7	40	84	-	12	57	1	7	13	19	31	-	-	-	-	-	3	-
	630	13	63	130	-	35	102	4	13	22	31	49	75	-	-	-	3	21	48
	R-630T	-	-	-	-	-	-	14	32	51	70	108	164	-	5	24	43	81	137
50,8	630	9	43	90	-	21	69	2,5	9	15	21	34	53	-	-	-	-	12	30
	1000	16	71	146	-	49	124	6	16	26	36	56	86	-	-	4	14	34	64
	1500	25	107	218	3	85	196	10	25	40	55	84	129	-	3	18	33	62	107
66,7	630	4	24	50	-	6	33	-	4	8	11	18	29	-	-	-	-	-	11
	1000	8	40	83	-	22	65	3	8	14	20	31	48	-	-	-	2	14	30
	1500	14	61	125	-	44	108	5	14	23	31	48	74	-	-	5	14	30	56
88,9	630	1,5	12	28	-	-	15	-	1	3	5	9	16	-	-	-	-	-	3
	1000	4	22	46	-	10	34	1	4	7	11	17	27	-	-	-	-	5	14
	1500	7	34	70	-	21	58	3	7	12	17	27	41	-	-	-	5	14	29
107,92	1000	3	14	30	-	4	20	-	3	5	7	11	18	-	-	-	-	1	8
	1500	5	23	47	-	13	37	1	5	8	11	18	28	-	-	-	1	8	17
	1500T	11	48	96	1	37	86	5	11	18	24	37	57	-	1	8	14	27	47
126,95	1000	1,5	10	22	-	1	13	-	1	3	4	7	12	-	-	-	-	-	3
	1500	3	16	34	-	8	25	-	3	6	8	13	20	-	-	-	-	4	11
	1500T	8	34	70	-	25	61	3	8	13	17	27	41	-	-	4	9	18	33
158,72	1000	0,5	6	13	-	-	6	-	-	1	2	4	7	-	-	-	-	-	-
	1500	2	10	21	-	3	14	-	2	3	5	8	12	-	-	-	-	1	6
	1500T	5	21	44	-	14	37	2	5	8	10	17	26	-	-	1	4	10	19
195	1500	-	7	14	-	-	8	-	1	2	3	5	8	-	-	-	-	-	2
	1500T	3	14	29	-	8	23	1	3	5	7	11	17	-	-	-	1	5	11
203,2	1500	-	6	13	-	-	7	-	-	2	3	4,5	7	-	-	-	-	-	2
	1500T	3	13	27	-	7	21	-	3	4,5	6	10	16	-	-	-	-	5	10

NOTE:

1. In Table 13, theoretical acceptable pressure drops are included. Actual pressure drops with consideration of tolerance of spring manufacture and friction of internal parts of the actuator are lower than those given by 20%. Pressure drops chosen that way guarantee internal tightness of closing of the valves.
2. In valves working along the procedure: "increased control pressure – valve opens", the actuator with springs ranged 40-120 kPa can be replaced with an actuator ranged 40-200 kPa, with the same pressure drops.
3. For reverse-working actuators (type R or R1), supply pressure should be higher than the upper spring range by at least 40kPa.

NOISE REDUCTION:

Should noise due to cavitation or aerodynamic phenomena exceed level acceptable by customer, it can be reduced by applying the following solutions:

- perforated valve plugs (Fig. 1 and Table 11)
- silencer plates on valve outlet and/or inside of reduction joint (Fig. 3, 4 and Table 14)
- reduction ends (diffusers) - (Fig.4).

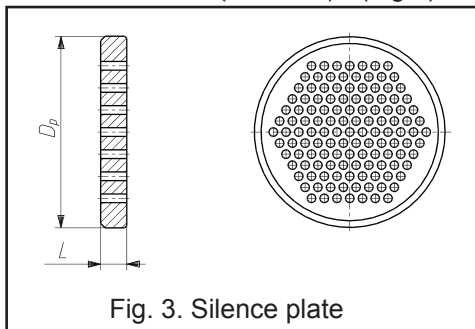


Fig. 3. Silencer plate

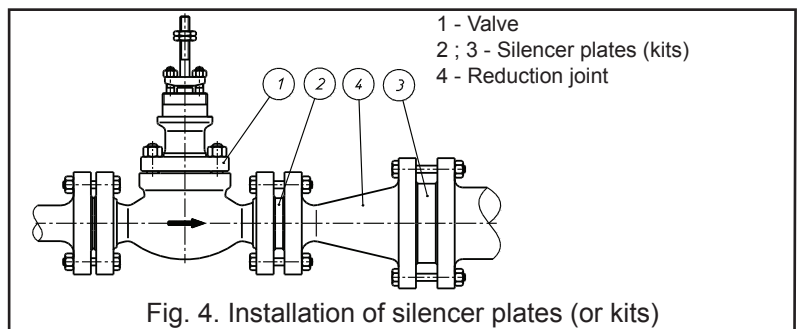


Fig. 4. Installation of silencer plates (or kits)

Table 14. Dimensions and flow ratios for silencer plates.

DN	15	20	25	40	50	80	100	150	200	250	300	350			
Kvs	4	6,3	10	25	40	94	160	320	500	800	1000	1500			
	3,6	5,7	9	22,5	36	84	144	288	450	720	900	1350			
	3,2	5	8	20	32	75	128	256	400	640	800	1200			
	2,8	4,4	7	17,5	28	66	112	224	350	560	700	1050			
L [mm]	5			6			10			15			20		
Dp [mm]	45	58	68	88	102	138	162	218	285	345	410	465			

Multi-plate silencer kits are custom-built for requirements of individual processes.

DIMENSIONS AND WEIGHTS

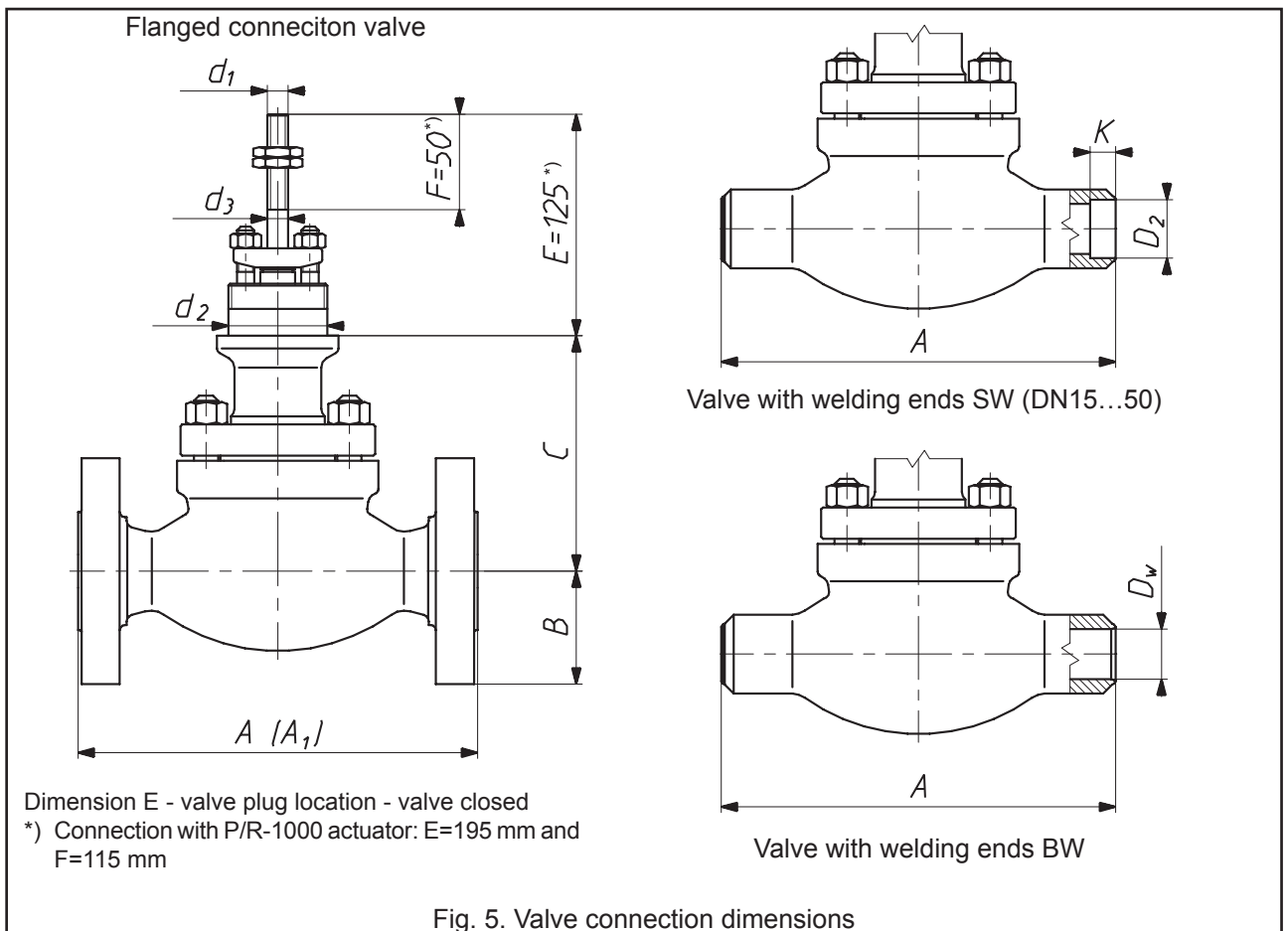


Fig. 5. Valve connection dimensions

Table 15a: Control valves connection dimensions

DN	15...25						40						50					
PN/CL	PN10... CL300	PN63... CL600	CL900; PN160	PN250; CL1500	PN320	PN400; CL2500	PN10... CL300	PN63... CL600	CL900; PN160	PN250; CL1500	PN320	PN400; CL2500	PN10... CL300	PN63... CL600	CL900; PN160	PN250; CL1500	PN320	PN400; CL2500
B max	63	70	75	80	90	75	85	93	98	110	83	98	108	105	118			
C	DS	135	149	193	145	172	214	155	175	237								
	DW	306	320	364	316	348	385	326	345	402								
	DM	254	-	-	-	-	254	-	-	-	-	-	270	-	-	-	-	-
Weight [kg]	8	8,5	9,5	15,5	17,5	19	20	22	23	22	25	28	31	33	34			

DN	80						100						150		
PN/CL	PN10... CL300	PN63... CL600	CL900; PN160	PN250; CL1500	PN320	PN400; CL2500	PN10... CL300	PN63... CL600	CL900; PN160	PN250; CL1500	PN320	PN400; CL2500	PN10...CL300	PN63...CL600	CL900;PN160
B max	105	145	120	133	138	153	128	138	145	155	168	185	160	178	190
C	DS	206	233	257	217	252	329	287	365						
	DW	375	402	447	407	442	498	426	483						
	DM	405	-	-	-	-	405	-	-	-	-	470	-	-	
Weight [kg]	40	43	44	50	51	52	65	72	75	86	89	95	132	147	156

DN	200			250		
PN/CL	PN10...CL300	PN63...CL600	PN10...CL300	PN10...CL300 (kv800)	PN63...CL600	
B max	190	235	258	255		
C	DS	439	458			
	DW	539	558			
	DM	580	-	580	660	-
Weight [kg]	195	220	320	330	360	

DN300 - special execution, technical data according to individual inquiries. (table: 15a and 15b).

NOTE: Weight of valve with standard bonnet and without actuator.

Table 15b: Control valves connection dimensions

DN	15...50	40...50	80...100	80; 100	100	150	200	200; 250		250		
Kvs ¹⁾	0,1...16	25...40	63; 94	125; 160	63...160	250; 320	94	125; 160	250; 320	500	630	800
Stroke	20			38		50	38	50	63	80		
d ₁	M12x1,25		M16x1,5		M20x1,5	M16x1,5	M20x1,5	M24x1,5				
d ₂ ²⁾	57,15 / 2 1/4"-16UN2A				84,15 / 3 5/16"-16NS2A		95,25 / 3 3/4"-12UN2A					
d ₃	12	16		20			24					
Actuator	250 400 630 R-630T			630 1000 1500		1000 1500 1500T	1000 1500	1000 1500 1500T		1500 1500T		

NOTE:

¹⁾ Kvs value for contoured plugs L and P. For other plugs Kvs as per Table 11 for same seat diameter.

²⁾ For DN80 and DN100 valves with TA-LUFT packing d₂ = 84,15

Table 16. Control valve length, flanges.

DN	Dimension A [mm]										
	PN / DIN					CL					
	10; 16; 25; 40	63 - 100	160	250 - 320	400	CL150	CL300	CL600	CL900	CL1500	CL2500
15	130	230*	230*	260*	300*	184	190	203	236	273	308
20	150	230	230	260	300		194	206	241		
25	160						197	210	248		
40	200	260	260	300	350	222	235	251	270	311	359
50	230	300	300	350	400	254	267	286	311	340	400
80	310	380	380	450	500	298	317	336	387	460	498
100	350	430	430	520	580	352	368	394	464	530	575
150	480	550	550	**	**	451	473	508	556	**	**
200	600	650	**	**	**	543	568	610	**	**	**
250	730	775	**	**	**	673	708	752	**	**	**
300	special execution, technical data according to individual inquiries										
*CAUTION! For DN15 (as per PN) housing lengths were adopted as for DN20 (with exception of PN10; 16; 25; 40) ** higher nominal pressures available after agreement with the manufacturer											

NOTE: Dimensions „A” as listed in Table 16 for CL150; CL300; CL600; CL900; CL1500; CL2500 apply to bodies with B seat (RF). For other designs dimension A₁ can be calculated using relations presented in Table 17.

Table 17. Algorithms for calculation of control valve body length for valves with flanged end:

- with groove
- with recess
- with ring-joint

Body type and identification	Pressure CL	DN	A ₁	
PN / ANSI				
With groove DL / (GF) With recess F / (FF)	CL300	15...250	$A_1 = A + 5 \times 2$	
	CL600		$A_1 = A - 1,5 \times 2$	
	CL900			
	CL1500 CL2500			
With ring-joint J / (RTJ)	CL300	15	$A_1 = A + 5,5 \times 2$	
		20...40	$A_1 = A + 6,5 \times 2$	
	CL150	15...250	$A_1 = A$	
	CL300	50...250		
	CL600 CL900 CL1500	15...40	$A_1 = A + 1,5 \times 2$	
	CL2500	15...25		
	CL600	50...250		
	CL900 CL1500	50...100		
		CL900	150	$A_1 = A + 3 \times 2$
		CL2500	80	$A_1 = A + 4,5 \times 2$
		100		

Table 18: Control valve length, welding ends.

DN	Dimension A [mm]		
	Nominal pressure		
	PN 10...CL600	CL900...PN160	PN250...CL2500
15; 20; 25	210	230	300
40	251	260	350
50	286	300	400
80	337	380	500
100	394	430	580
150	508	550	**
200	610	**	**
250	752	**	**
300	special execution, technical data according to individual inquiries		
** higher nominal pressures available after agreement with the manufacturer			

Table 21: SW socket welding ends

DN	D ₂	K
15	21,7	9,7
20	27	13
25	34	
40	48,7	
50	61	16

VALVE ACTUATOR:

Pneumatic:

- diaphragm multi-spring actuator as per Table 22:
- P1/R1 - cast yoke, no handwheel
- P1B/R1B - cast yoke, side-mounted handwheel
- P/R - column type, no handwheel
- PN/RN - column type, top-mounted handwheel

NOTE:

- P - direct action; air-to-close
- R - reverse action; air-to-open

Table 22: Pneumatic actuators

Type	Size	Diaphragm effective area [cm ²]	Stroke [mm]	Revolutions per stroke
P/R ; PN/RN	250	250	20	5
	400	400		
P1/R1 ; P/R ; P1B/R1B ; PN/RN	630	630	20 ; 38	5 ; 9
	R-630T *)	2 x 630		
		1000	1000	38 ; 50 ; 63
P1/R1 ; P1B/R1B	1500	1500	38 ; 50 ; 63 ; 80 ; 100	8 ; 10 ; 13 ; 16 ; 20
	1500T	2 x 1500		

*) - there are no top mounted handwheel for R-630T

Table 23: Sizes and weights of pneumatic actuators P/R and PN/RN - Fig. 8.

Actuator size	D ₁	D ₂	H ₁	H ₂	Weight [kg]	
	mm				P/R	PN/RN
250	240	225	324	486	10	14,5
400	305		332	494	16	20,5
630	375	305	424	586	30	37
R-630T		-	638	-	45	-
1000	477	450	607	847	74	100
1500	550	-	704	-	95	-
1500T		-	1008	-	200	-

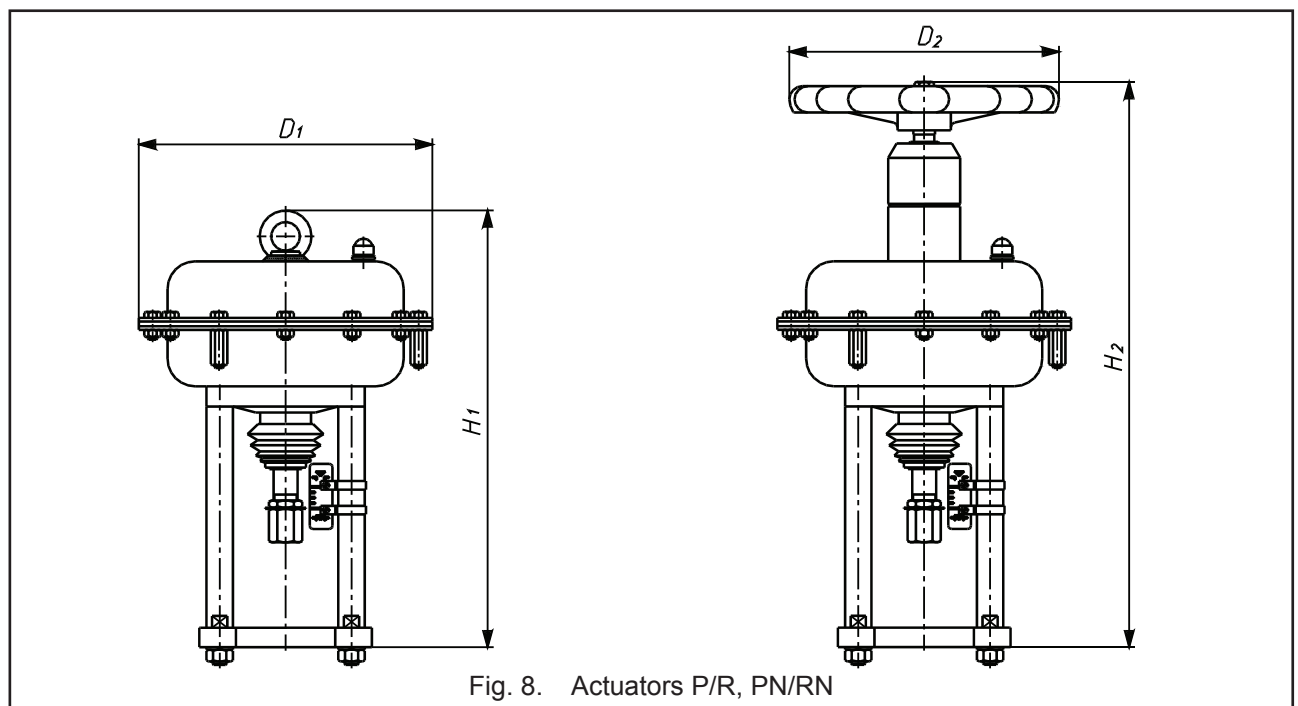


Fig. 8. Actuators P/R, PN/RN

Table 24: Sizes and weights of pneumatic actuators P1/R1 and P1B/R1B - Fig. 9.

Actuator size	B	D ₁	D ₂	H	Weight [kg]	
	mm				P1/R1	P1B/R1B
400	255	305	225	453	20	28
630	280	375	305	548	40	50
1000	340	477	450	773	85	105
1500	410	550		833	120	150
3000				1138	225	255

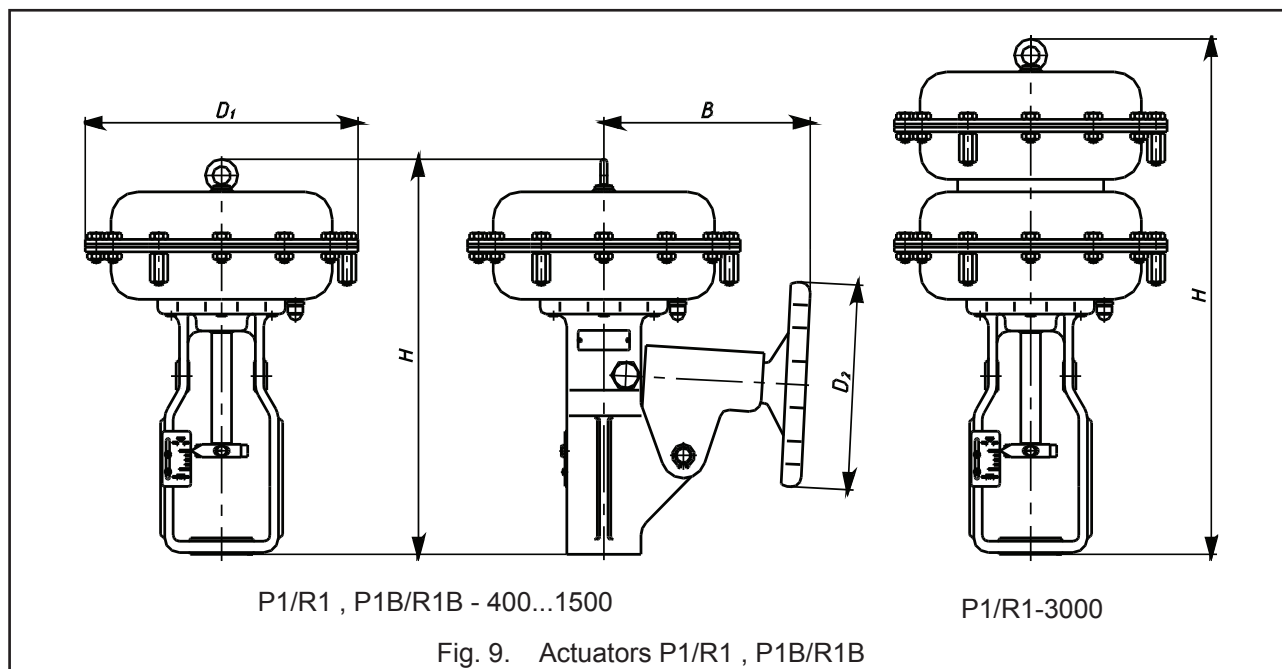


Fig. 9. Actuators P1/R1, P1B/R1B

Control air connections:

- tube diameters:

- spring ranges:

1/4" NPT ; NPT 1/2", Rc 1/2"

6x1 ; 8x1 ; 10x1 ; 12x1

20...100kPa ; 40...120kPa ; 60...140kPa

40...200kPa ; 80...240kPa ; 120...280kPa

180...380kPa *)

- 3 springs

- 6 springs

- 12 springs

*)not applicable for actuators P/R; P1/R1-250; 400

For actuator P1/R1-3000 (Tandem) -

for each range double the above numbers of springs.

- maximum supply pressure:

- accessories (upon request):

actuator size 250...630 - 600kPa

actuator size R-630T and 1000...1500 - 500kPa

handwheel, side-mounted handwheel (P1/R1) or top-mounted handwheel (P/R),
 pneumatic positioner,
 electro-pneumatic positioner,
 smart electro-pneumatic positioner,
 air set,
 three-way solenoid valve,
 lock-up valve,
 position transducer,
 limit switches.

Electric: - electric drives; domestic and foreign electro-hydraulic drives (for details and technical specification refer to manufacturers' catalogs)

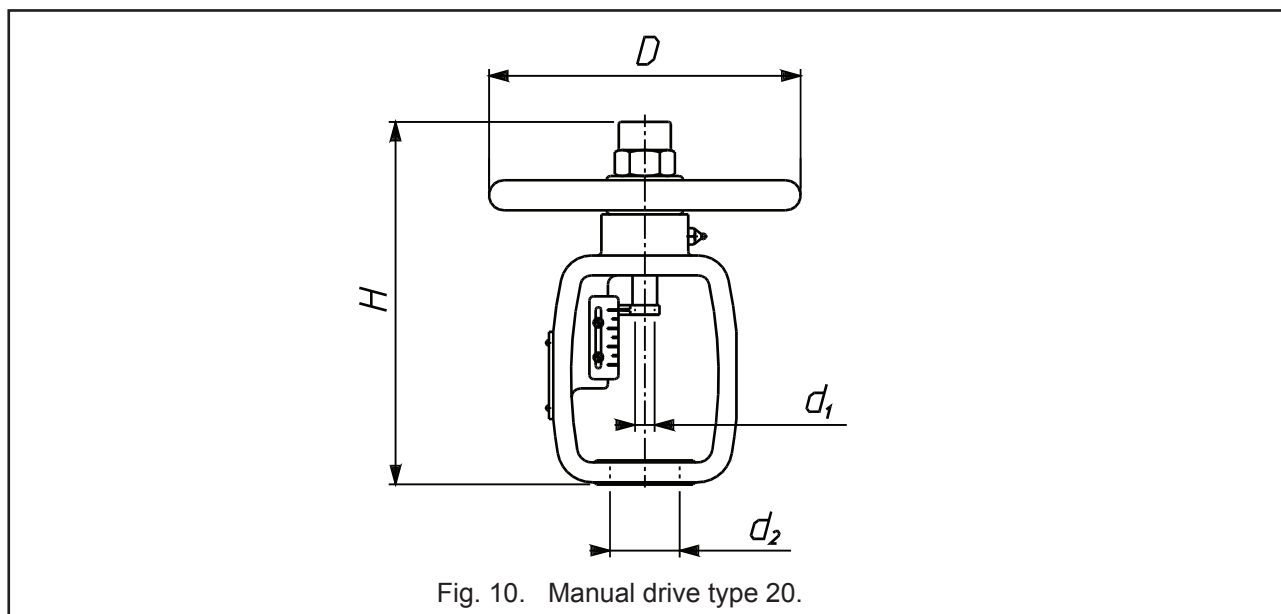
Manual: - manual drive type 20, Fig. 10 Table 25.

Table 25: Handwheels series 20 - types, sizes and weights.

Type	Stroke [mm]	d_1	d_2	H	D	rev./stroke	Weight [kg]
20-20-57-M12	20	M12x1,25	57,15	265	228	8	7,5
20-20-84-M12			84,15				
20-38-57-M16	38	M16x1,5	57,15		298	15	10
20-38-84-M16			84,15				
20-38-95-M16			95,25				
20-50-84-M20	50	M20x1,5	84,15	385	457	16	16
20-50-95-M20			95,25			20	
20-63-95-M24	63	M24x1,5	95,25	533	610	19	24
20-80-95-M24	80						

Marking:

Example: 20-38-57-M16 - manual drive type 20; stroke - 38mm; $d_2=57,15$ mm; $d_1=M16x1,5$



SPECIAL OPTIONS:

- oxygen and hydrogen option:

Application of adequate materials, mechanical and chemical cleaning, inspections and assembly ensure compatibility with oxygen and hydrogen flows.

- low temperature fluid option:

Application of adequate materials and special bonnet design ensures reliable isolation of valve drive from the impact of low temperatures. Used mostly for liquid oxygen and liquid nitrogen.

- acid gas option:

Parts of valve can be made of materials and under conditions to enable valve operation with gases of H₂S content as per NACE MR-0175.

- heat jacket option:

Design and technical parameters as per customer's specification.

- tight valve-seat option:

When class VI tightness is required (up to $\Delta p < 35$ bar)

- valves with non-cast bodies:

If a special construction of the valve body is needed, it is possible to design a valve for individual customer's needs (angle valves – type L and Z).

CLASSIFICATION AND MARKING:



Type and action:

- pneumatic with direct action:	P ; P1
- pneumatic with reverse action:	R ; R1
- pneumatic with side-mounted handwheel:	P1B;R1B
- pneumatic with top-mounted handwheel:	PN; RN
- electric:	E
- manual:	20

Bonnet:

- standard:	1
- extension:	2
- bellow seal:	3
- other:	X

Packing:

- PTFE, braided	A
- PTFE, V type	B
- PTFE, for oxygen	C
- graphite, braided	D
- graphite, expanded	E
- TA-Luft, PTFE	F
- TA-Luft, graphite	G

Leakage class:

- basic: class IV	4
- enhanced: class V	5
- tight (special) class VI	6

Valve plug:

- unbalanced	7
--------------	----------

Choke cages:

- no choke cages	0
- one choke cage	1

Plug characteristics and type:

- linear, contoured	L
- equal percentage	P
- quick-opening, (on-off)	S
- linear, perforated	T
- equal percentage, perforated	V
- other	X

Body material:

- carbon steel	3
- alloy steel	4
- stainless steel	5
- other	X

MARKING EXAMPLE:

Control valve type Z1A with reverse action pneumatic actuator with a top-mounted handwheel, extension bonnet, expanded graphite stem packing, leakage class IV, choke cage, equal percentage contoured plug, execution in alloy steel:

RN-Z1A-2E471P4

Marking is shown on valve nameplate.

Additionally, it shows:

- nominal size [DN],
- nominal pressure [PN],
- max working temperature [TS],
- max working pressure [PS],
- test pressure [PT],
- flow ratio [Kvs],
- plug stroke [H],
- plug stroke fluid group [1 or 2],
- serial number and year of manufacture.

ORDERING:

The order should contain all information as per data questionnaire. Full information can be obtained from the Sales and Marketing Department or Technical and Development Department.